

DRAWING NO.
50006435

4

3

2

1

REV	DATE	DESCRIPTION	ECO	BY	C'H'K.
A	07/17/2012 00:00:00 AM	NEW SALES DRAWING CREATION	28030	MB	MA

D

D

C

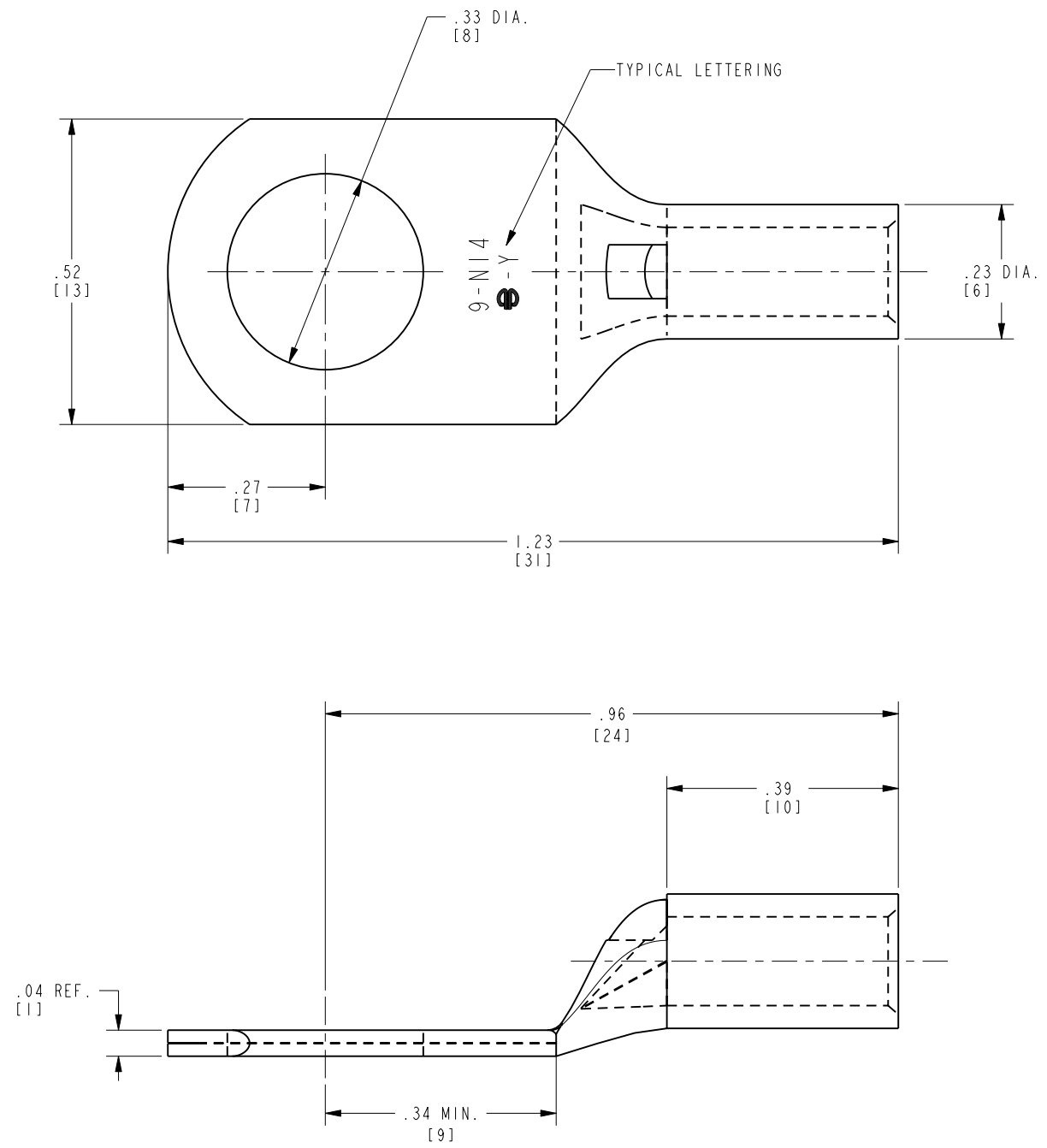
C

B

B

A

A



NOTES:

1. MATERIAL: COPPER TUBING
2. FINISH: TIN PLATED
3. DIMENSIONS IN [] BRACKETS ARE IN MILLIMETERS ROUNDED OFF TO THE NEAREST MILLIMETER, UNLESS OTHERWISE NOTED, AND ARE FOR REFERENCE ONLY.

REV: PE0200

4

3

2

1

HYLUG™ I HOLE, SKIVED BACK, TRIMMED (MULTI)	
ITEM NO: 603805	
CAT. NO: YAV9CT4	
DRAWN BY: B.MANIKANDAN 07/17/12	
CHECKER: --	--
DSN APPVL: --	--
MFG APPVL: --	--
QA APPVL: --	--
MKT APPVL: N/A	--
PROD FAM: CM&R Compression	SCALE: 3:1
PROJECT #: --	DRAWING NO
DOCUMENT TYPE: Sales	SIZE
REL LEVEL: Released	50006435
	SHEET 1 OF 1
	REV
	A

